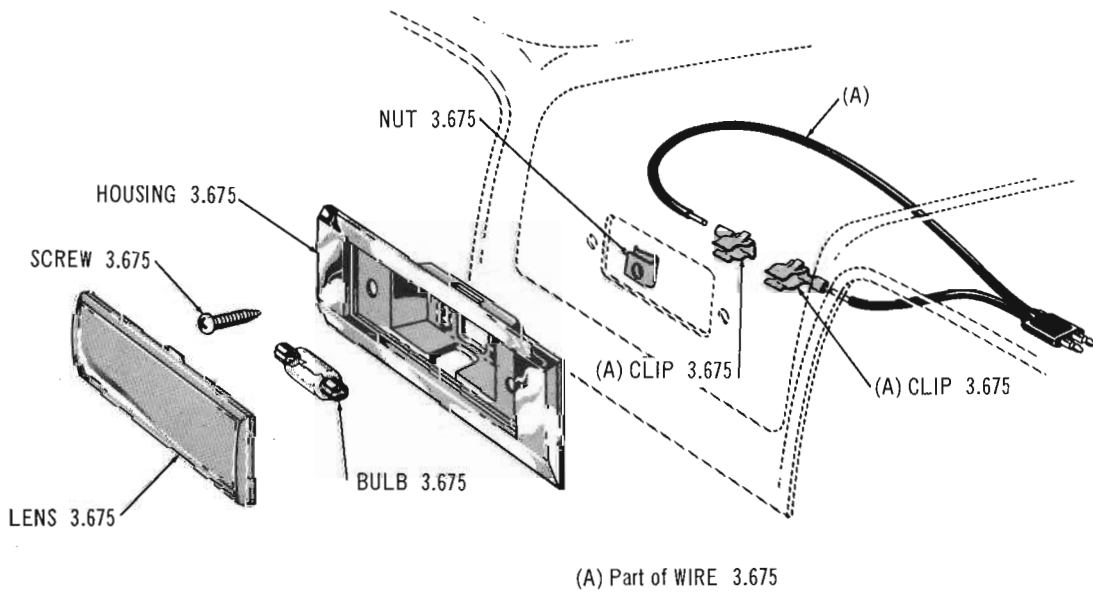


REAR QUARTER LAMP 65 09



REAR QUARTER LAMP 65 59-7 (Marlin)