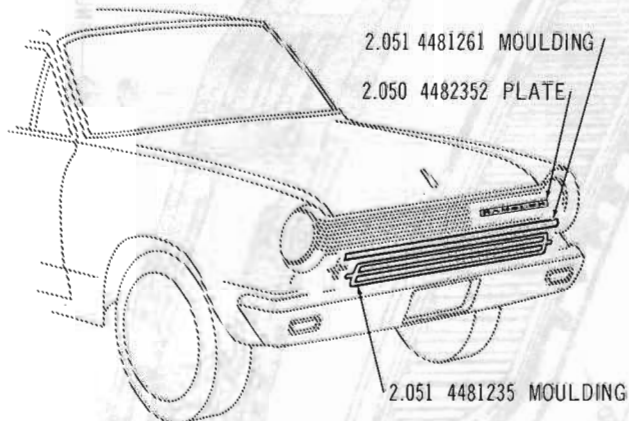


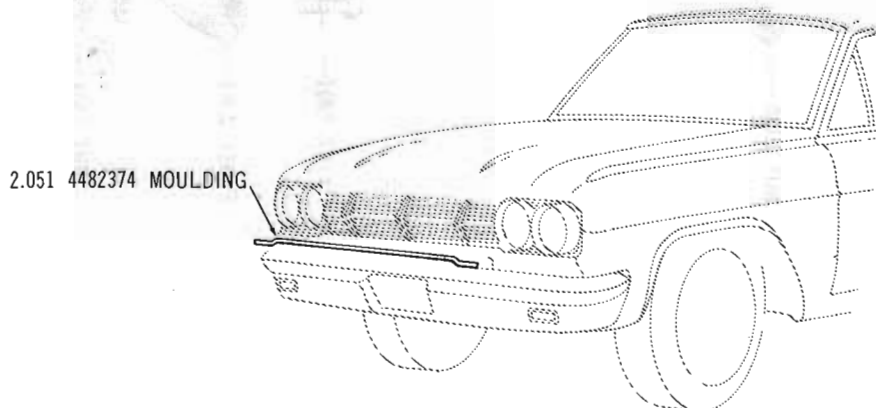
ATTACHING PARTS, WHEN REQUIRED, INCLUDED WITH ALL PARTS SHOWN

**GRILLE PANEL MOULDINGS 64-65 01 (220)**



ATTACHING PARTS, WHEN REQUIRED, INCLUDED WITH ALL PARTS SHOWN

**GRILLE PANEL MOULDINGS 64-65 01 (330)(440)(440-H)**



ATTACHING PARTS, WHEN REQUIRED, INCLUDED WITH ALL PARTS SHOWN

**GRILLE MOULDINGS 65 10**

Copyright 1963 American Motors Corp.