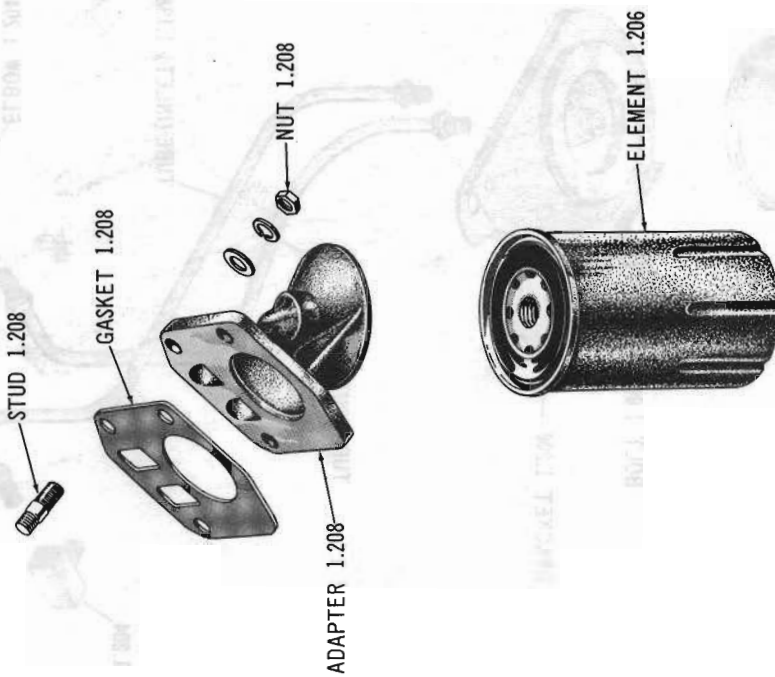


ENGINE OIL FILTER 64 01-10 (OHVC-196)



ENGINE OIL FILTER 60 thru Current 10-20-80 (V8)